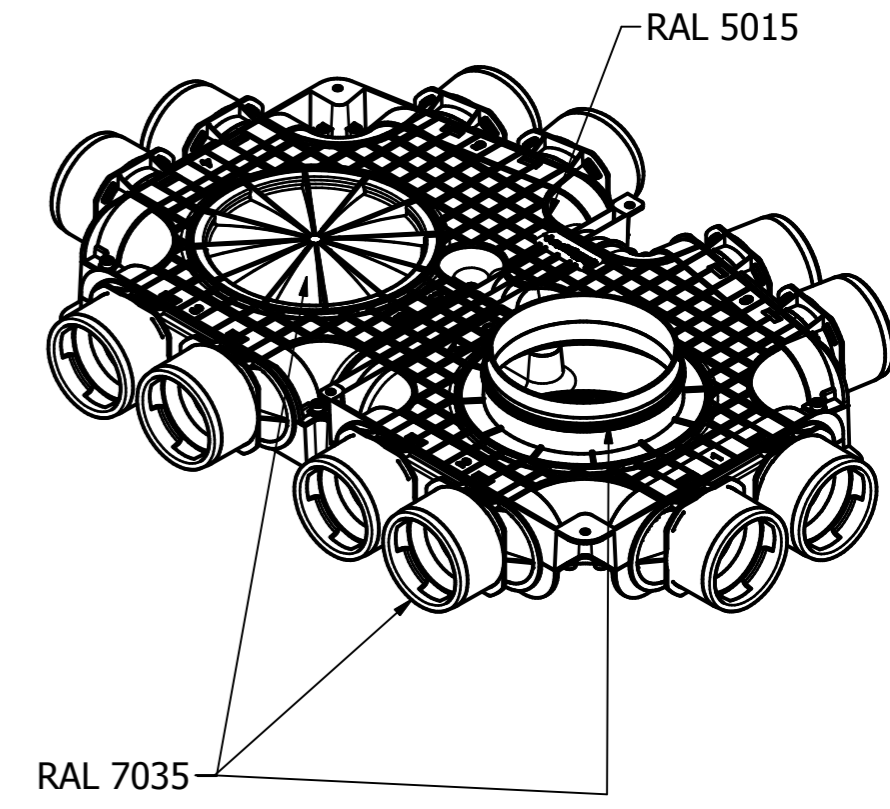


Connection for Ø75mm Uniflexplus+ Duct (12x)  
 Connection for Ø160mm Duct (1x)



PART NAME				
TVG 75 160 Instortverdeler 12xØ75 zijaansl. Tuit Ø160				
DRAWING NUMBER VENTILAIR		MATERIAL	REVISION HISTORY	
2005000056		Mixed	REV	DATE
			DESCRIPTION	BY
COLOUR		DATE		
RAL		21-3-2019		
5015/7035				
SCALE	PROJ A-A	UNITS	SIZE	DRAWN BY
1 : 6		mm	A3	<i>Vent-Axia</i>